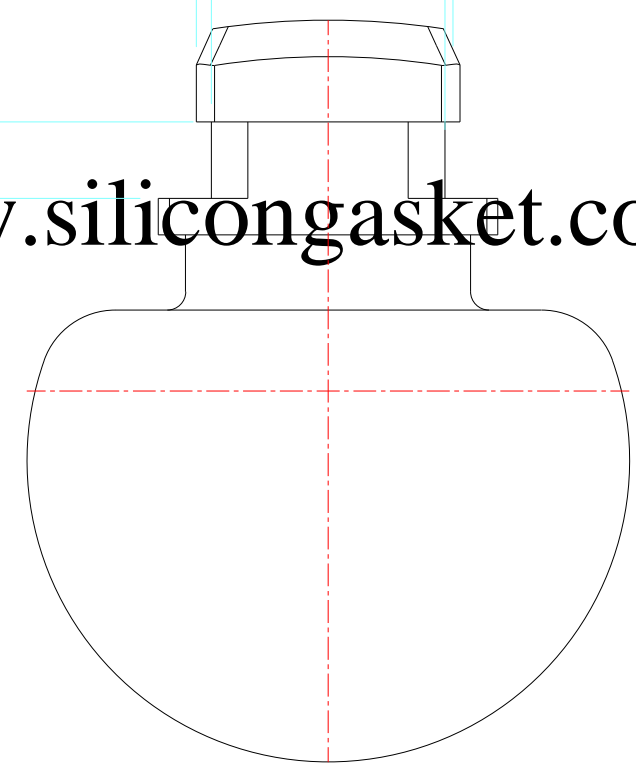
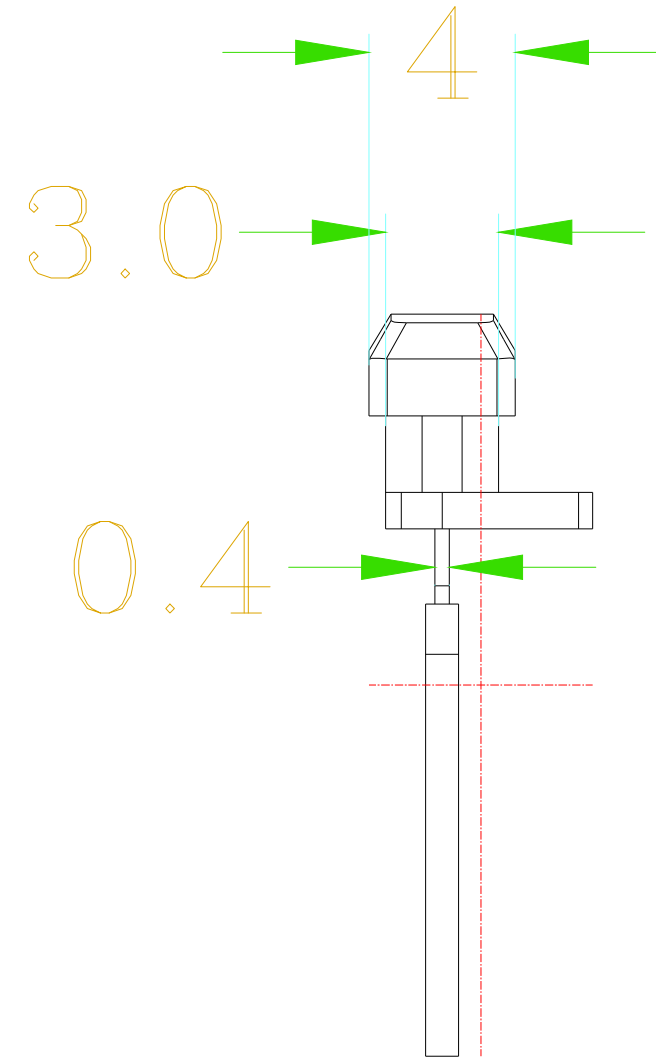
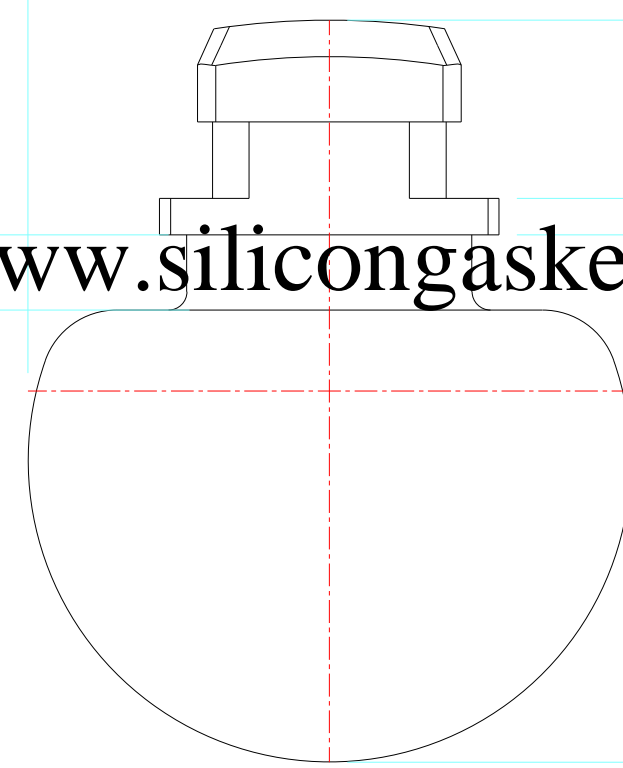
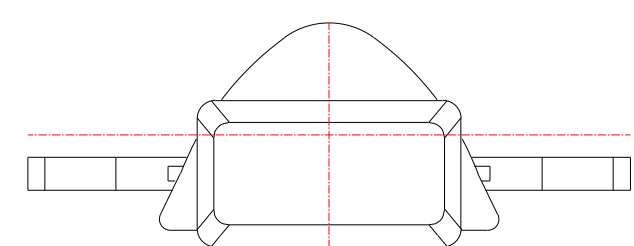


www.silicongasket.com



www.silicongasket.com

www.silicongasket.com



TITLE:	Flapper Valve		
Diameter:		MATL	FDA Grade Silicone
FINISH	F1; No Tool Marks		
SCALE	1:1	DRW.BY	HUANG
DATE	9/19/2018	DRW. NO	S302
Xiamen Better Silicone Rubber Co.,Ltd			
WEB:	www.silicongasket.com		

16.5

3.0

7.2
6.4

2

20.3

0.4

4

2